

HR-10 & HRA-10

Releasing Station

GENERAL

The HR-10 and HRA-10 are non-coded, dual-action, manual pull stations used for release of Halon.

FEATURES OF HR-10

- Highly visible.
- Easily operated.
- Attractive shape and a textured finish.
- Semi-flush mounts to a standard single-gang, double-gang, or 4" square electrical box (2.125" minimum depth).
- Handle latches in down position to clearly indicate the station has been operated.
- Terminal block for ease of wiring.
- Surface back box is available.

FEATURES OF HRA-10

Includes all the features of the HR-10 listed above plus:

- Released and power LED indication
- Abort switch with guard
- Four gang vertical, brushed aluminum wall plate.
- Surface back box available.

CONSTRUCTION

- Shell, door, and handle are molded of durable LEXAN® with a textured finish.
- 16 gauge steel back plate.

OPERATION

Pulling the handle down causes it to latch in the down position. The handle is restored manually by using a mechanical key which allows the top of the case to pivot forward and the spring-loaded handle to return to its normal position. The case can then be pivoted back to its normal position and secured with the key.

ELECTRICAL SPECIFICATIONS

Switch Rated at 3 Amps @ 30 VAC/VDC

INSTALLATION

The HR-10 will mount semi-flush to an SB-10 surface back-box.

The HRA-10 will mount semi-flush to an SBA-10 surface back-box.

PRODUCT LINE INFORMATION

<u>Model</u>	<u>Description</u>
HR-10	Standard unit. Dual action. Works with, or without, a fiber break-tube.
HRA-10	All of the HR-10 features plus the following features: <ul style="list-style-type: none">• Released and Power LED indication.• Abort switch.• Four gang vertical, brushed aluminum wall plate.
SB-10	Surface back box for use with HR-10.
SBA-10	Surface back box for use with HRA-10.



File 711



California
State Fire
Marshal

7150-075:103



The HR-10 Releasing Station



The HRA-10 Releasing Station

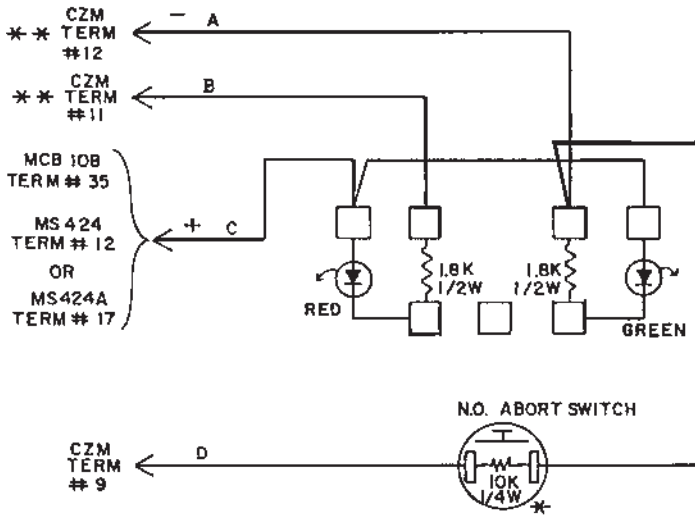


Fire-LITE® Alarms
INCORPORATED

12 Clintonville Road
Northford, Connecticut 06472
Phone: (203) 484-7161
FAX: (203) 484-7118

DF-50646
Page 1 of 2
November 9, 1992

HRA-10



* NOTE: 10K, 1/4W RESISTORS TO BE REMOVED FROM ALL BUT LAST UNIT.

** NOTE: PROGRAM CZM DRY CONTACTS FOR N.O. BY CUTTING J1 AND WIRING #12 TO MCB IOB TERM, #24, MS424 TERM #13, OR MS424A TERM #18.

